

Sonus faber

OLYMPICA NOVA

OWNER'S MANUAL

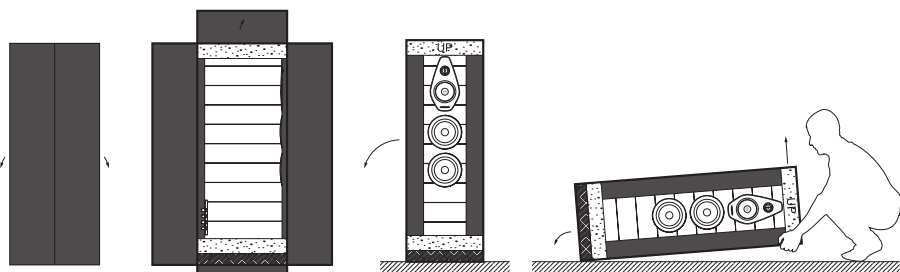
Sonus faber

OLYMPICA NOVA

Olympica Nova Wall	
Loudspeaker system	2 way, full para-aperiodic passive radiator, wall mount loudspeaker system.
Tweeter	H28 XTR3. Silk dome 28 mm moving coil driver with DAD™. Neodymium "cup design" motor system.
Midwoofer	MW15 XTR2-04, Sonus faber designed 150mm cone driver. CCAW wire on a "eddy current free" voice coil.
Crossover	"Paracross topology"™. Jantzen inductors and a new generation of Sonus faber capacitor designed in partnership with Clarity Cap. Crossover Frequencies: 2.500 Hz.
Frequency Response	50 – 35,000 Hz
Sensitivity (2.83V/1 m)	87 dB SPL
Nominal Impedance	4 ohm
Suggested amplifier power output	35W – 250W without clipping
Dimensions (HxWxD)	562 x 309,3 x 234,5 mm 22.1 x 12.1 x 10.9 in
Net Weight (each)	9 kg 19.8 lb
Packaging content	1 String Grilles 1 Fabric dust guards 1 Locking clamp 4 Phillips screws + plugs 2 Locking nuts 1 Nylon Washer 1 Manual 1 Photo book

6 ILLUSTRAZIONI / ILLUSTRATIONS ABBILDUNGEN / ILLUSTRATIONS / ВСПОМОГАТЕЛЬНЫЕ ЧЕРТЕЖИ

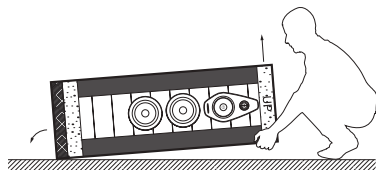
1A



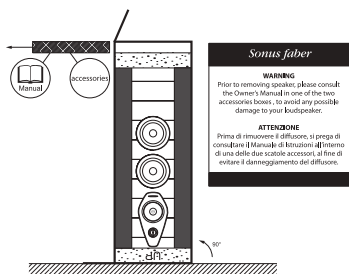
A

B

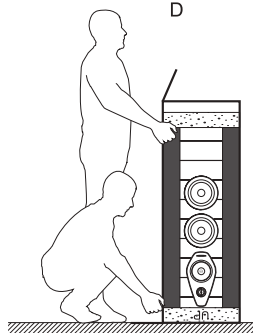
C



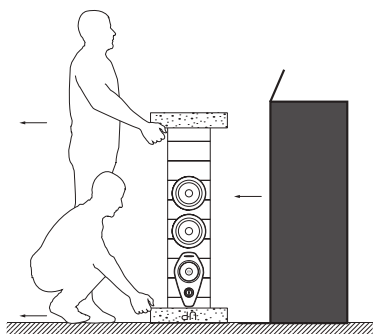
D



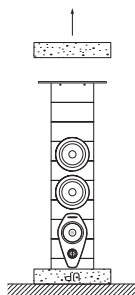
E



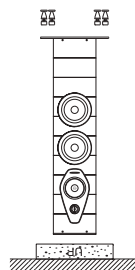
F



G

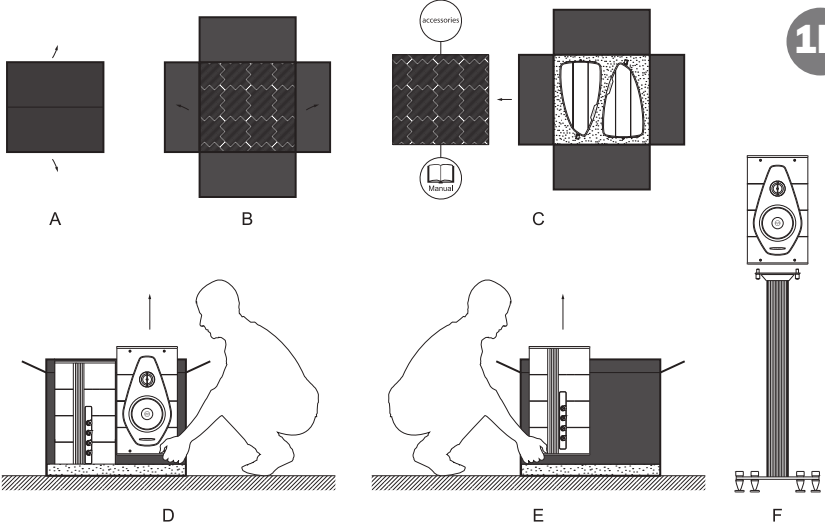


H

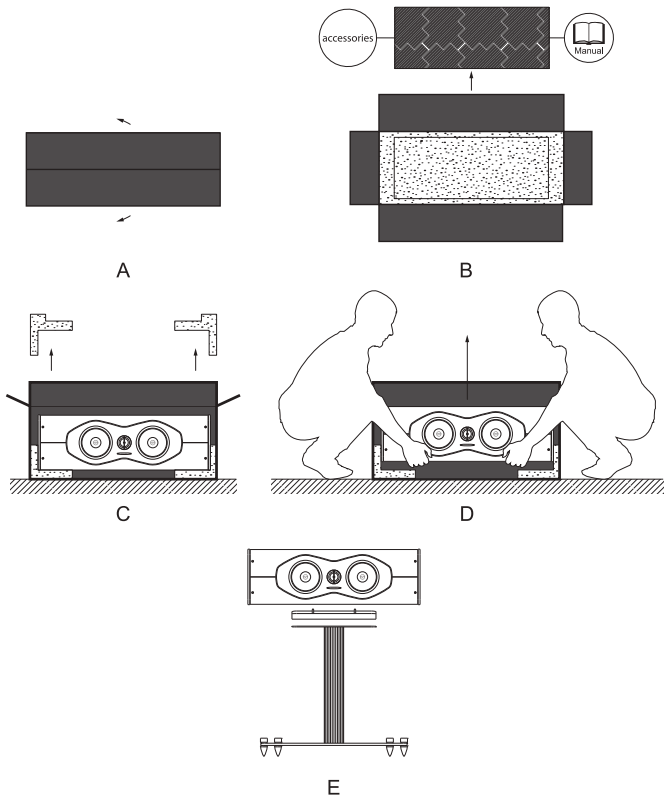


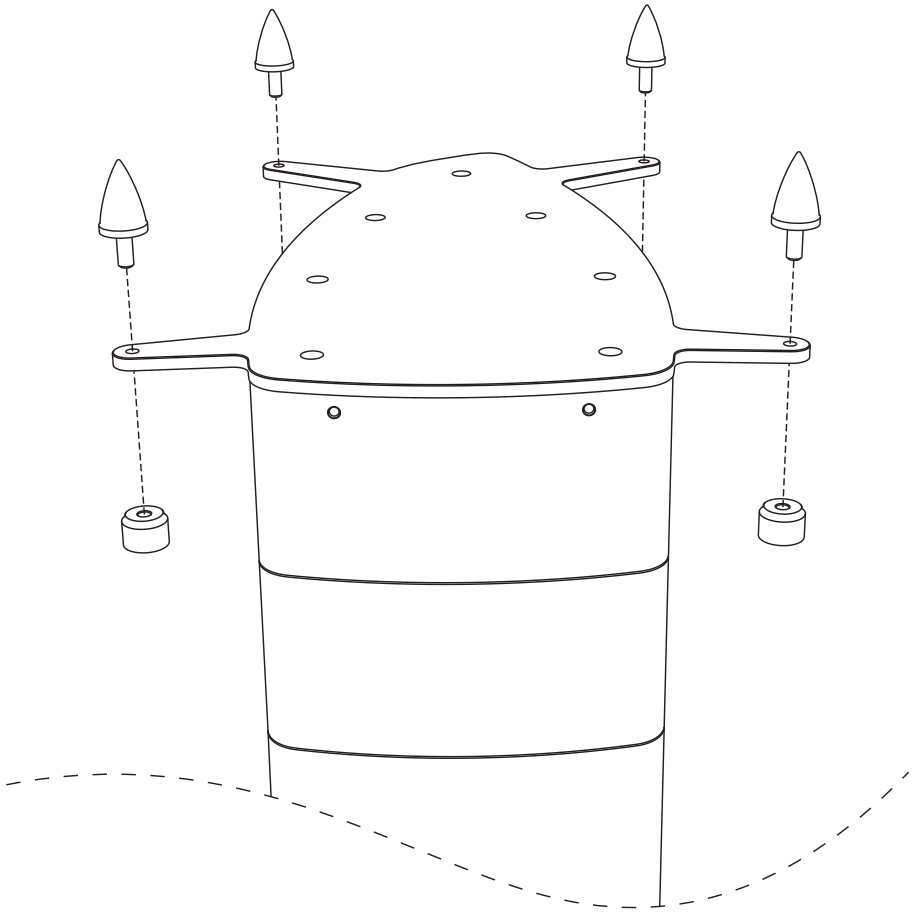
I

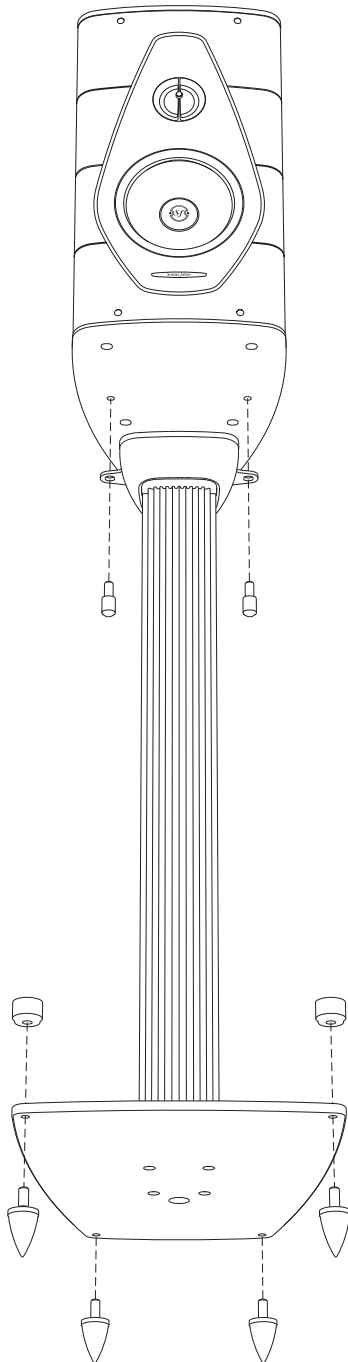
1B

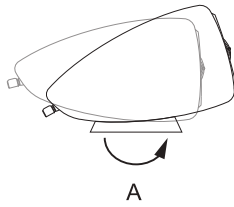
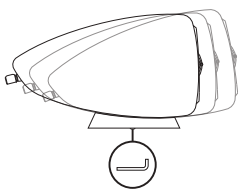


1C

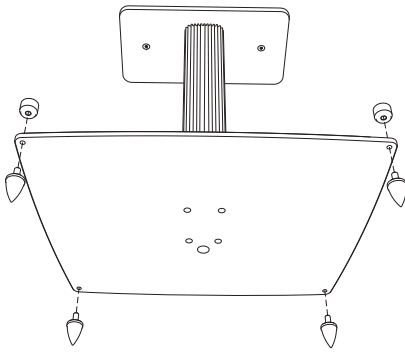
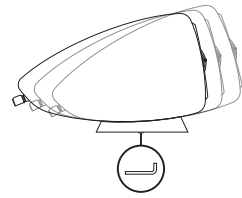




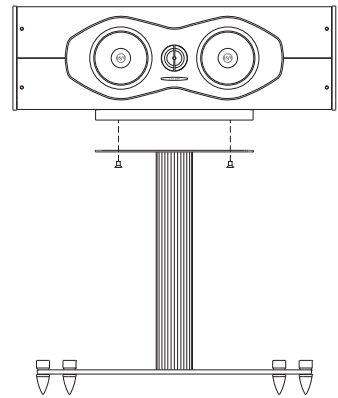




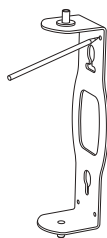
A



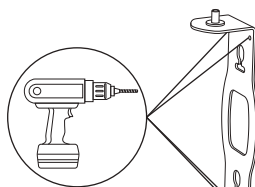
B



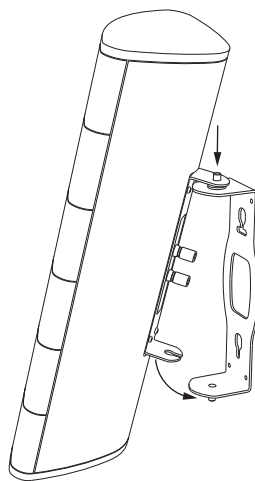
C



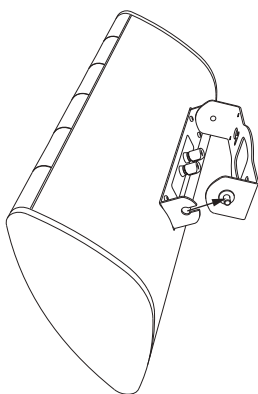
A



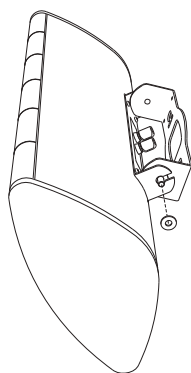
B



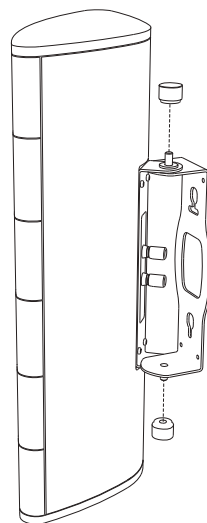
C



D

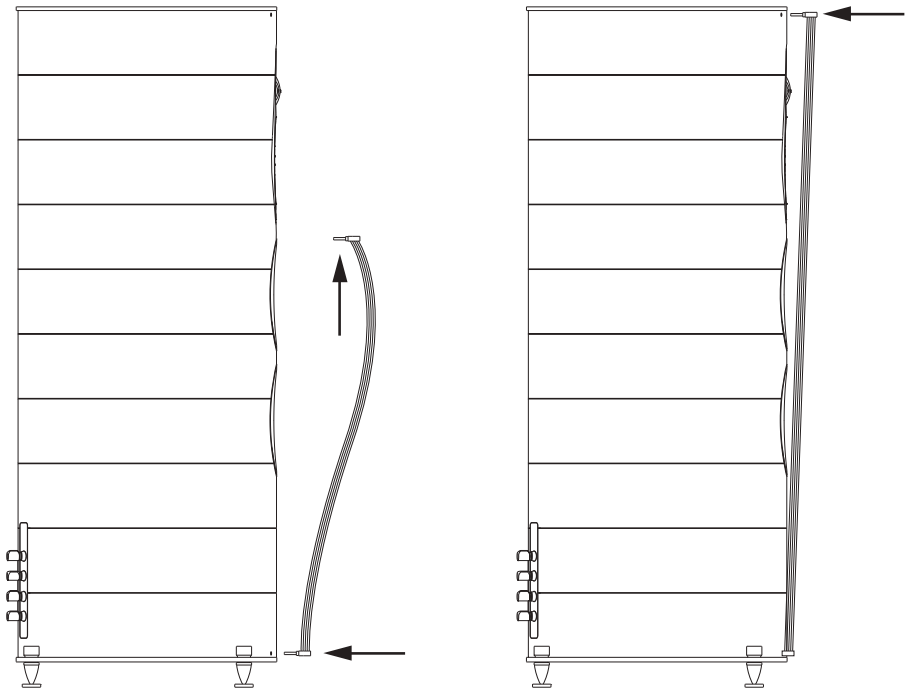


E

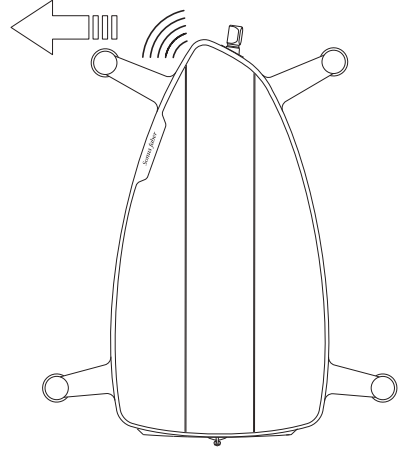
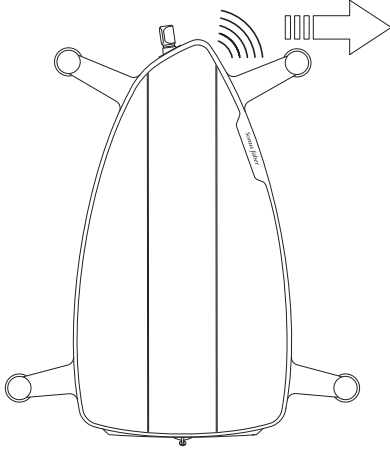


F

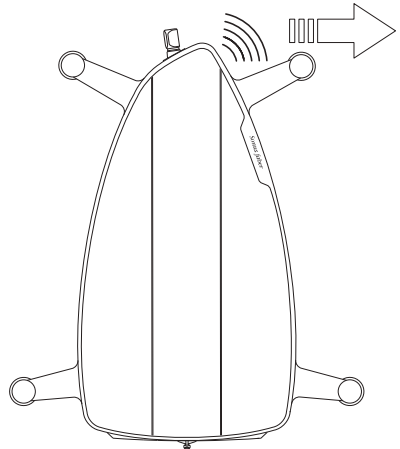
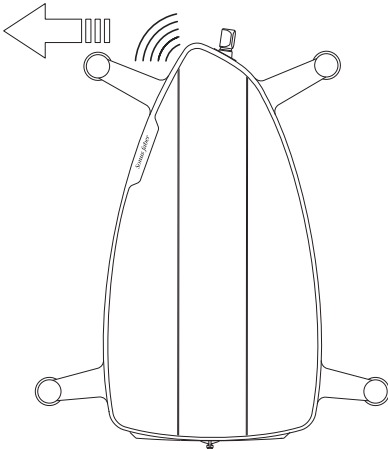
6

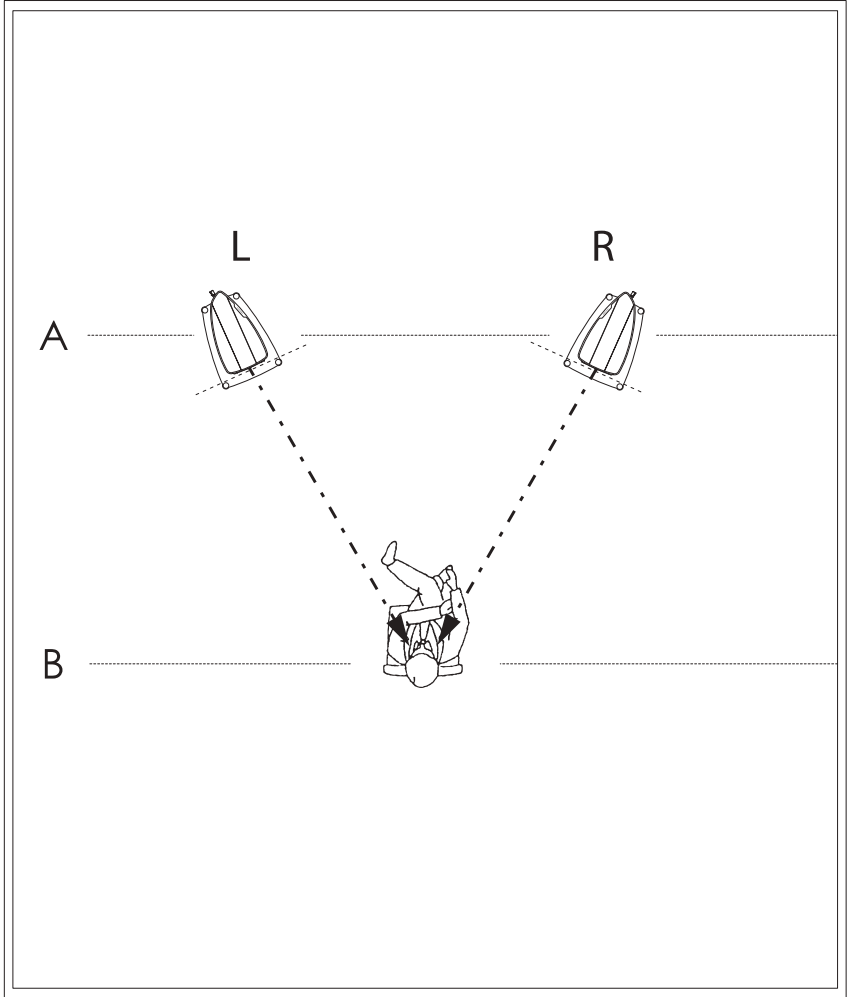


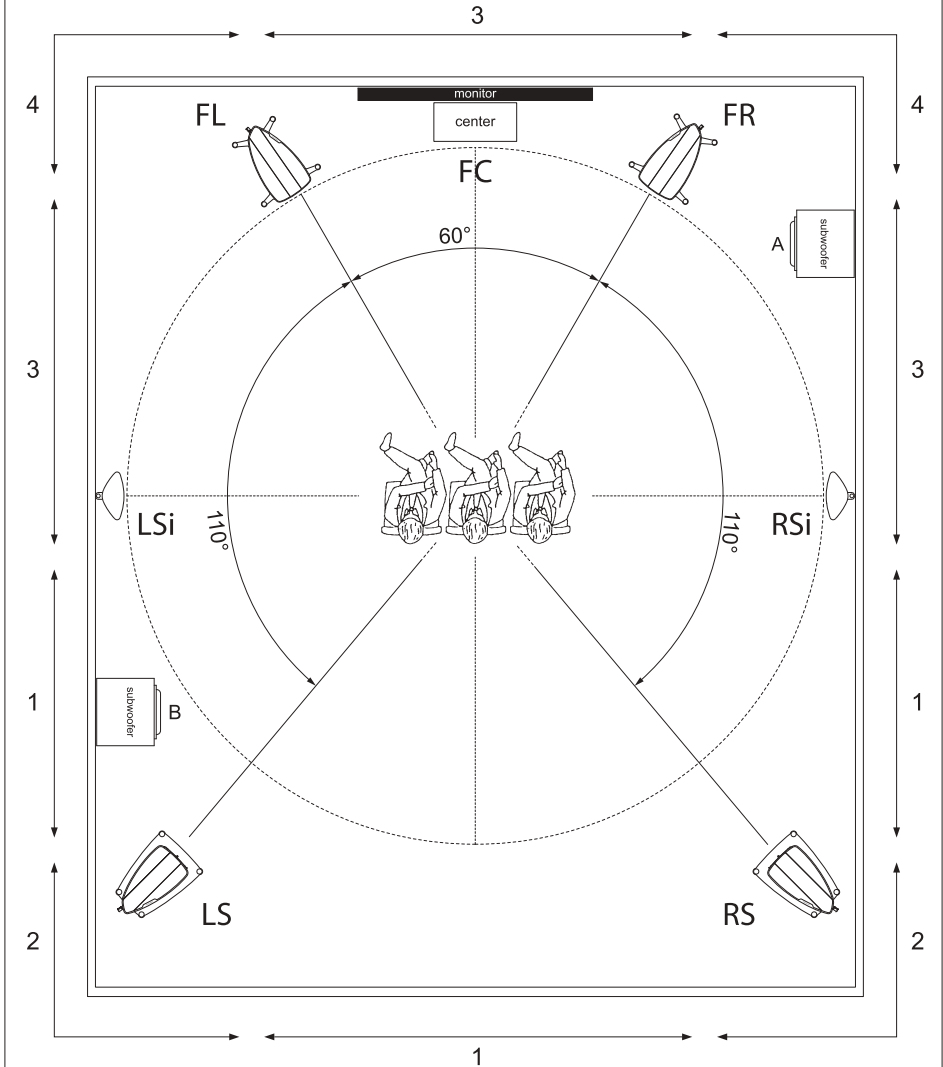
REFLEX INSIDE

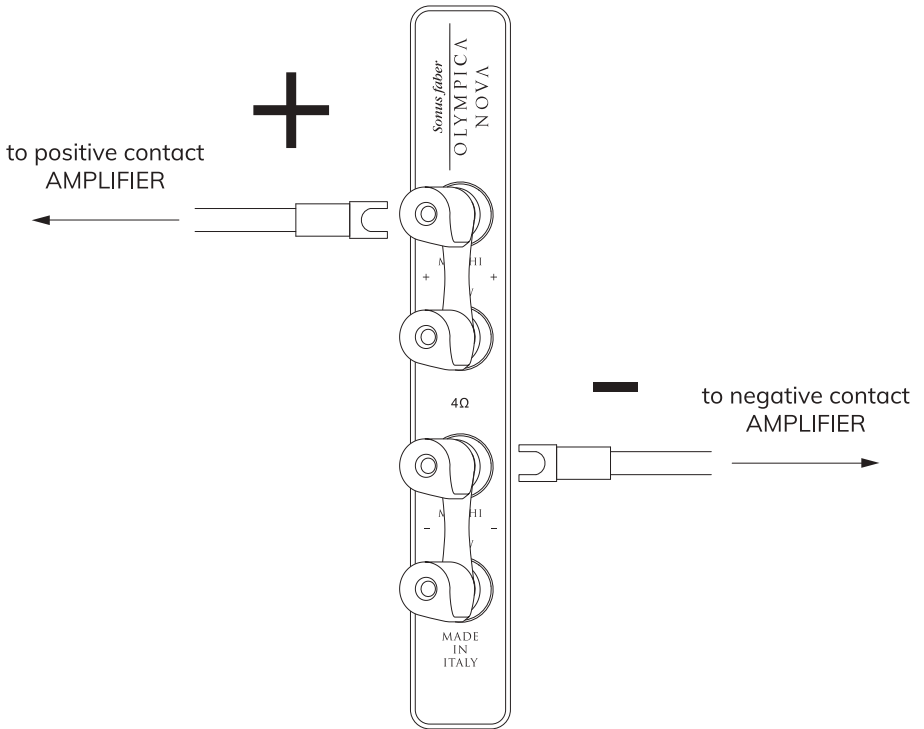


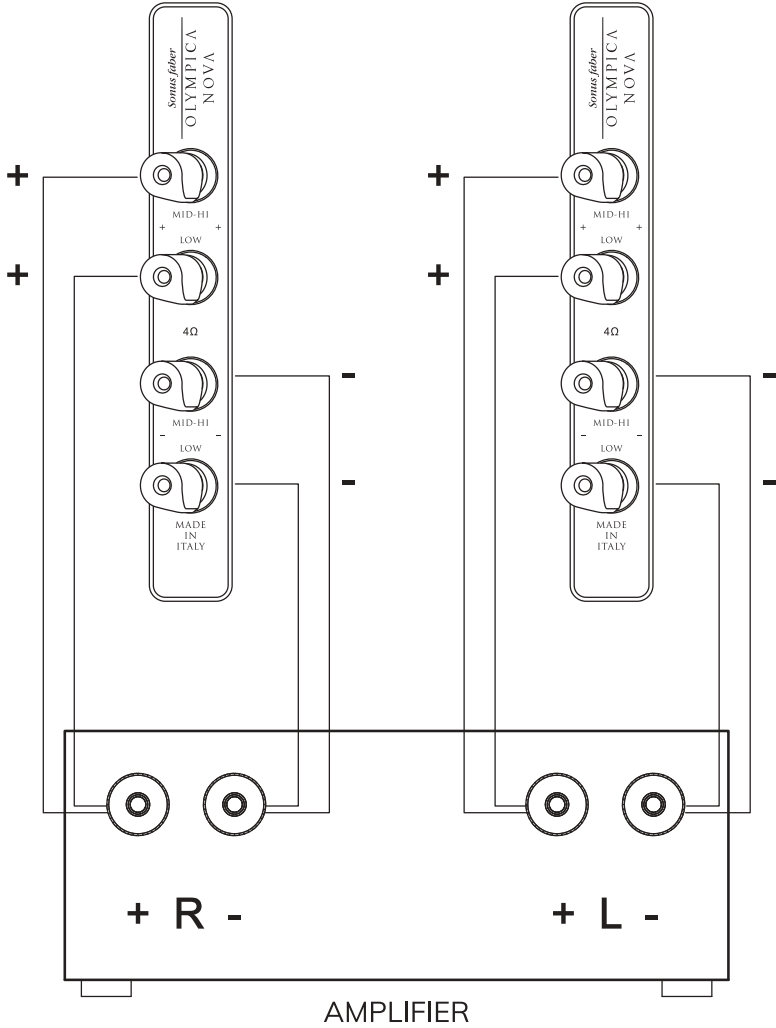
REFLEX OUTSIDE





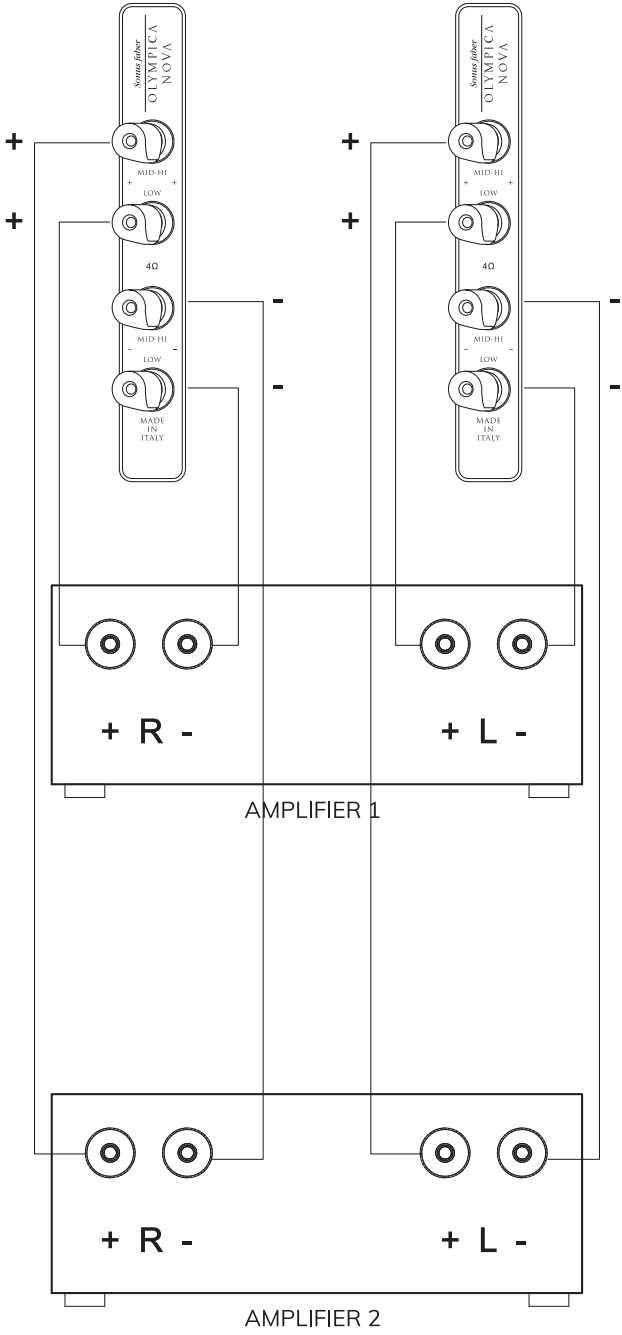


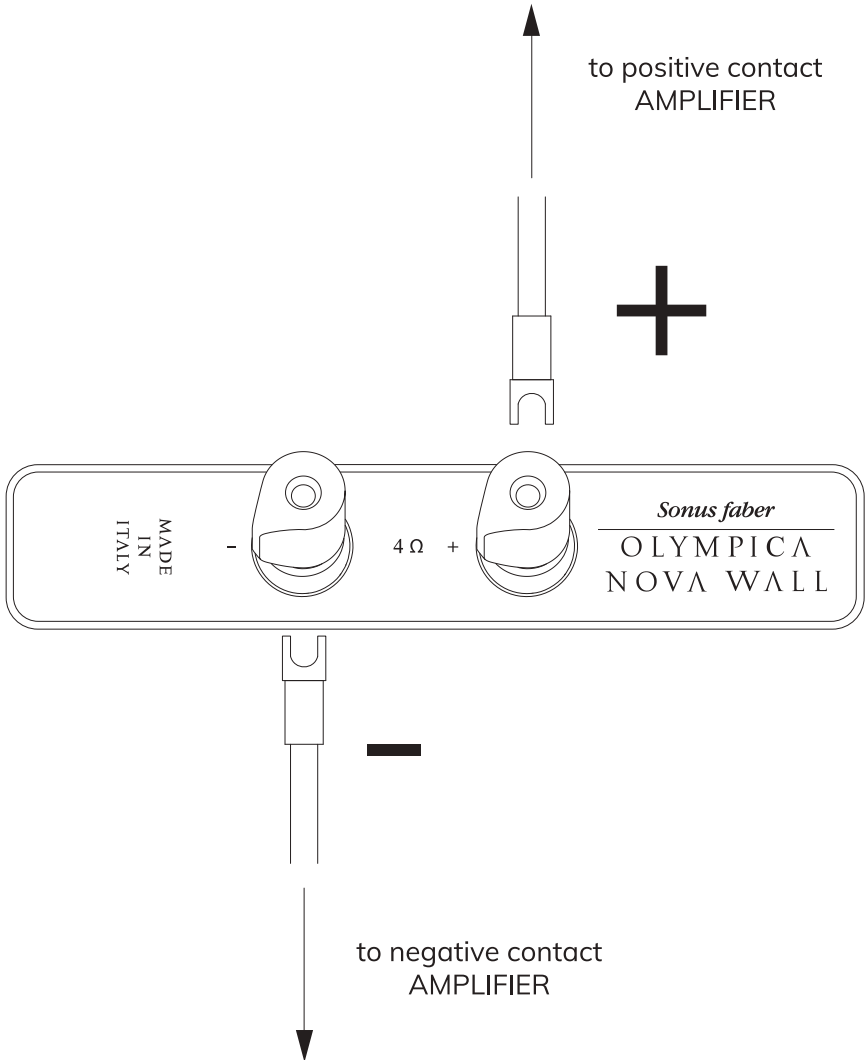




BI-AMPING

11





Sonus faber S.p.A.
Via Meucci, 10 - 36057 Arcugnano (VI) - Italy
Tel. 0444/288788 - fax 0444/288722
info@sonusfaber.com

© COPYRIGHT 2021
World copyright
reserved



Sonus faber reserves the right to change any technical and/or aesthetical feature of its products at any time without any previous notice

