

KLIPSCH **cornwall**®

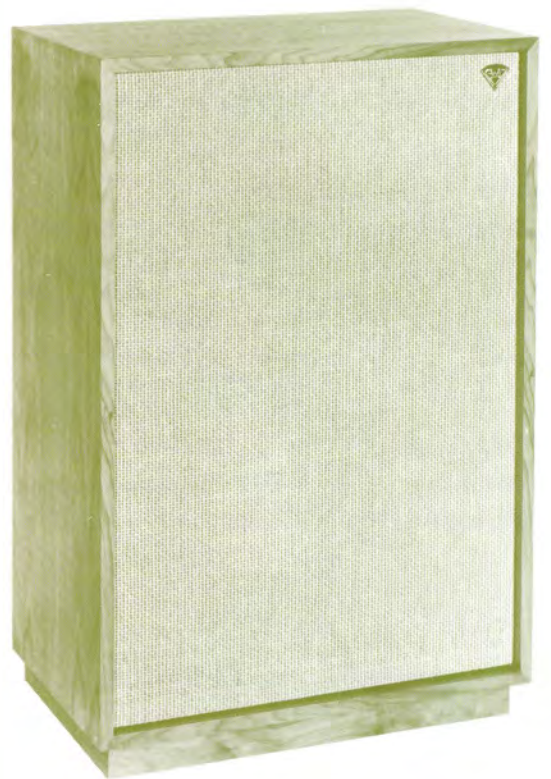
QUALITY SOUND SYSTEM FOR HOME, THEATERS, NIGHT CLUBS; MONITOR FOR RECORDING AND BROADCAST STUDIOS; OR OTHER PROFESSIONAL OR SERIOUS AMATEUR USE WHERE FAITHFUL REPRODUCTION IS DEMANDED.

The Klipsch CORNWALL II theater-home-auditorium loudspeaker is a high-efficiency, low-distortion system covering a wide range of frequencies with an unusually smooth response. Base range extends solidly to 38 Hz, usable to 30. In spite of the high quality, size has been brought to a minimum. This loudspeaker affords the same smoothness of response as the KLIPSCHORNS, but the efficiency is 6 dB lower.

It is so shaped as to adapt it for over-proscenium-arch location where space to ceiling is limited to only 91.4 cm. (3 feet), 61 cm. (2 feet) if unit is oriented horizontally. It may also be so used as a center-stereo unit, in combination with like flanking units or with KLIPSCHORNS on flanks. When used as flanking units, 30 to 45 degrees toe-in is suggested, depending on proportions of listening area.

Horn-loaded throughout its treble spectrum, it maintains the low diaphragm amplitudes and velocities necessary for low modulation distortion. The resulting clarity, a feature of all our speakers, even at the volume levels required for auditorium use, is typical of this highest level of quality.

The CORNWALL is a full 3-way system with rugged phenolic diaphragms in the high-frequency drivers. It boasts response from 38 to 17,000 Hz, ± 5 dB.



- UNUSUALLY SMOOTH • COMPACT SIZE •
- PORTABLE • ACCURATE REPRODUCTION
- 38-17,000 HZ RANGE • LOW DISTORTION
- HIGH EFFICIENCY • 100-WATT CAPACITY

KLIPSCH AND ASSOCIATES, INC.
P. O. Box 688 • Hope, Arkansas 71801 • Phone 501 — 777-6751

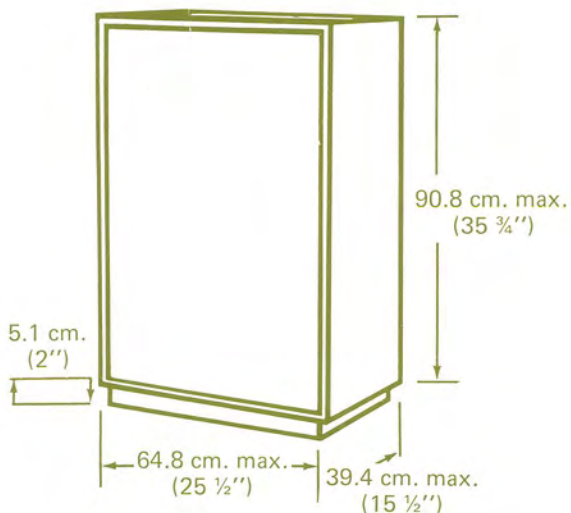
SPECIFICATIONS

Power Input Maximum 105 Watts (Program)
Fusing recommended 1 amp fast blow fuse.
Maximum 2 ampere

Total Modulation Distortion is expressed as RMS amplitude of modulation side-bands in percent of amplitude of the modulated frequency. It is a function of the total power output and is therefore expressed at a specified sound pressure output.

	Total Modulation Distortion (Max) %	at Sound Pressure Level dB at 61 cm. (2 ft.)
CORNWALL	3.0	90
Frequency Response ± 5 dB	38 to 17,000 Hz	
Sound Pressure level	98.5 dB SPL for 1 watt ref. .0002 dyne/cm ² at 121.92 cm. (4 ft.)	
Impedance	8 Ohms	
Drive Components	Klipsch K-33 Woofer, Klipsch K-55-V Mid range driver and Klipsch K-77 Tweeter	
Network	Type B 600/6,000 Hz	
Dimensions	Height 90.8 cm. (35 3/4") Width 64.8 cm. (25 1/2") Depth 39.4 cm. (15 1/2")	
Weight (shipping)	49 kg. (108 lbs.)	
Finish and Price	See catalog and price sheet.	

Also available with optional 5.1 cm. (2") horizontal base.



KLIPSCH

cornwall[®]

LOUDSPEAKER SYSTEM

ARCHITECTS' AND ENGINEERS' SPECIFICATIONS

The speaker shall be of the ducted-port-type woofer with separate but integrally joined bass and treble horn systems of quality to conform to highest theater-and-home use standards. The response shall be within peak-trough limits of 10 dB from 38 to 17,000 Hz and not more than 5 dB farther down at 30 and 19,000. Efficiency shall be at least 98.5 dB at 121.92 cm. (4 feet) with one-watt input with HF unit attenuated 3 dB for "normal" balance.

The high-frequency system shall comprise straight-axis horns; horns employing bends will not be acceptable due to inherent errors. The horns shall provide a coverage of 80° horizontal, 30° vertical, with less than 10 dB loss at the stated extreme angles.

The low-frequency section shall be of direct-radiator, ducted-port type with a single 38 cm. (15-inch) driver unit.

The crossover frequencies shall be 600 Hz and 6000 Hz and the power input capacity shall be as tabulated. The speaker output shall be 90 dB SPL at 61 cm. (2 feet) with less than 3% total modulation distortion.

The loudspeaker shall be KLIPSCH CORNWALL II.

KLIPSCH & ASSOCIATES, INC.
POST OFFICE BOX 688 HOPE, ARKANSAS 71801



The mark of integrity in loudspeaker systems